

Supplementary material to “Molecular evolution and diversification of phytoene synthase (PSY) gene family”

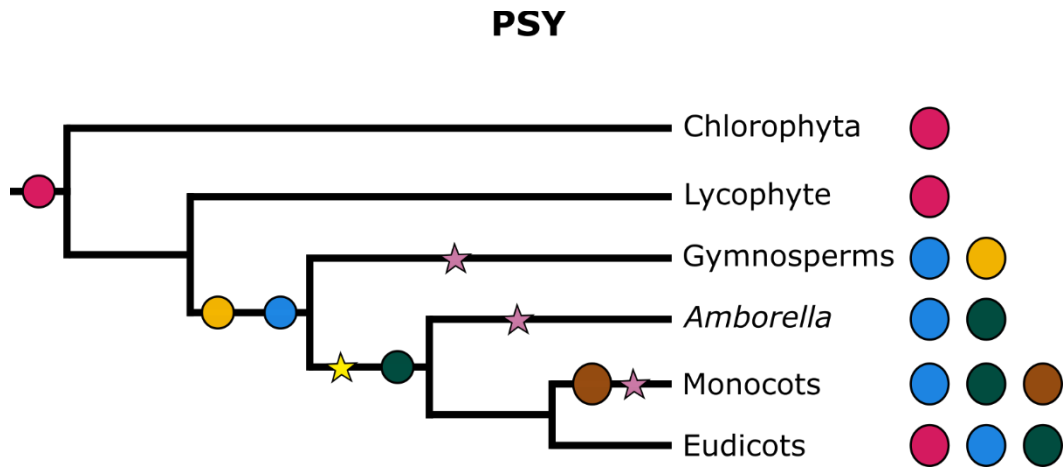


Figure S2 - Scheme of PSY gene duplications and losses. Stars represent loss events and circles represent when that copy would have appeared.