

Supplementary Material to “Haplotypic characterization of *BRCA1* c.5266dupC, the prevailing mutation in Brazilian hereditary breast/ovarian cancer”

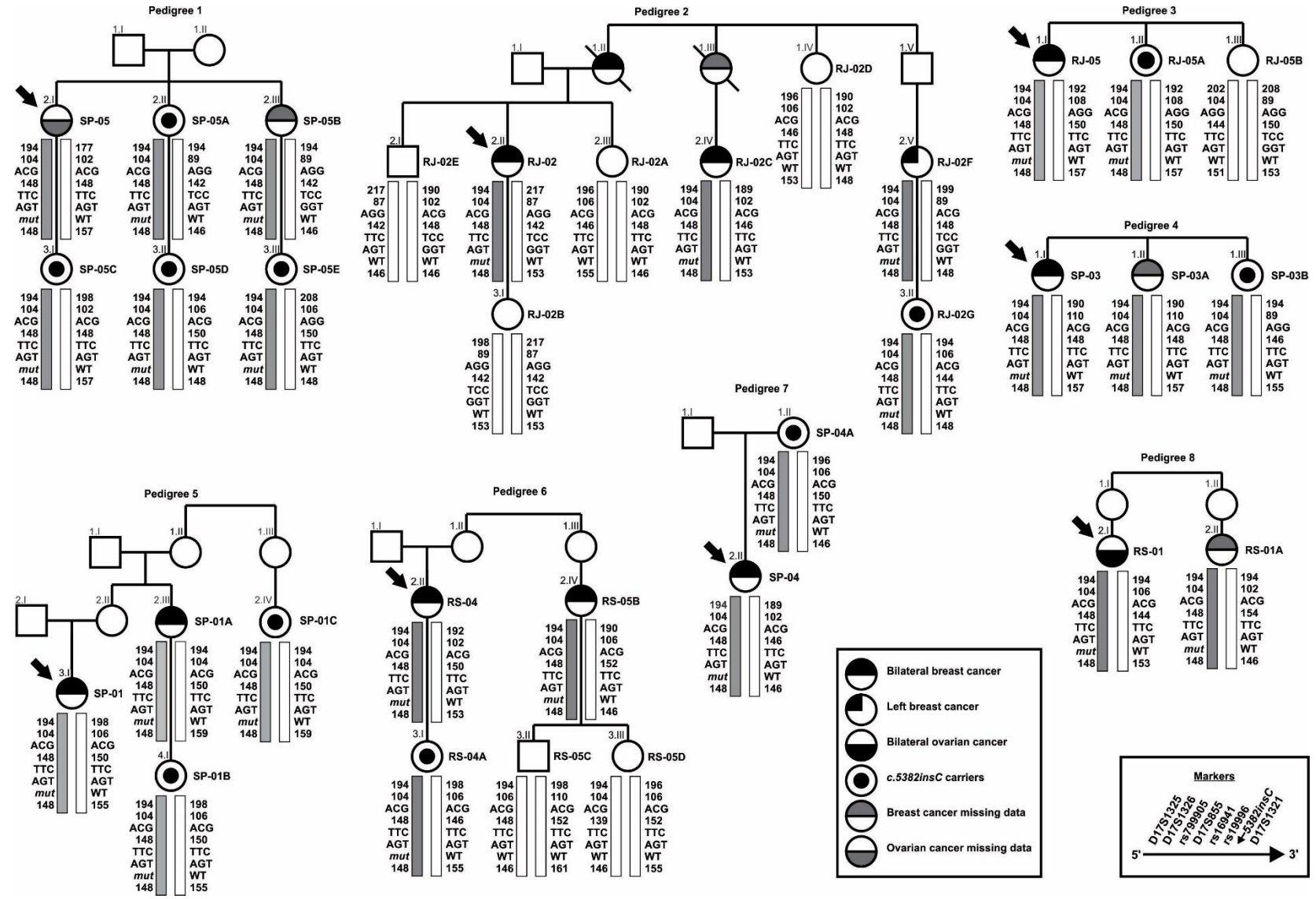


Figure S2 - Pedigree of probands' families and haplotype analyses. The haplotype linked to the mutation is gray painted. The phenotype features are given in the bottom right box and the markers used are given in the center box.